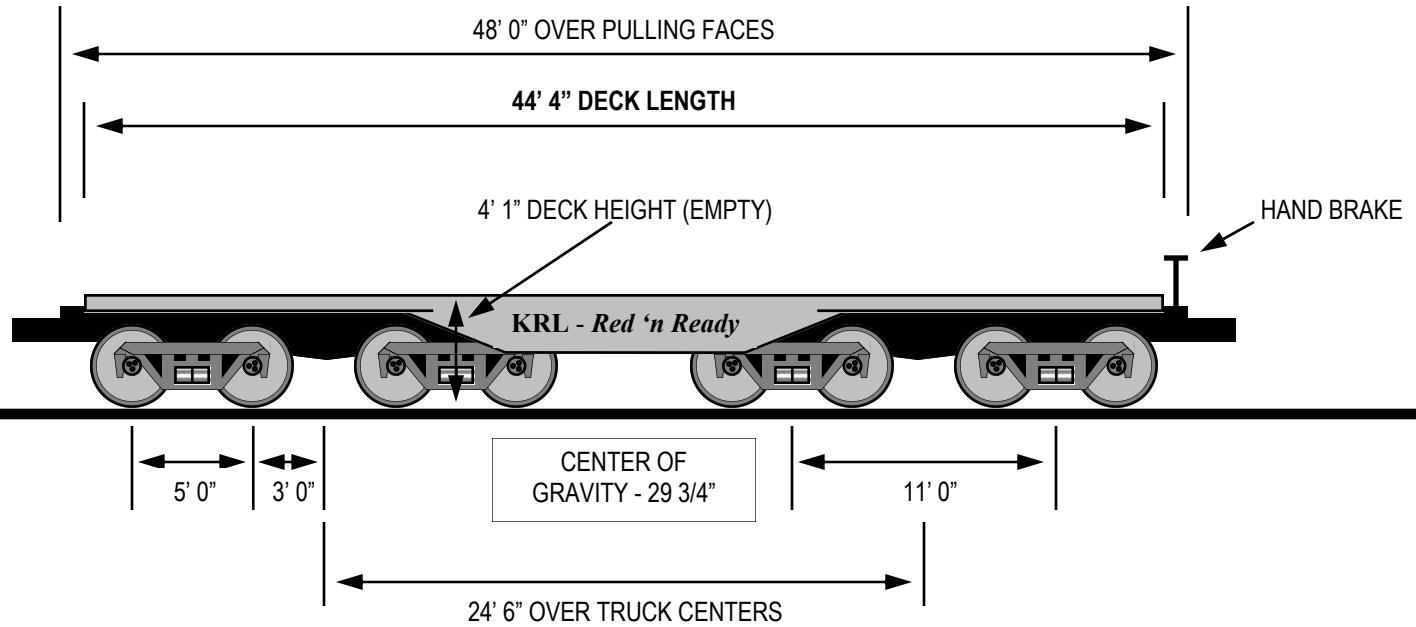


KRL 45705



LENGTH OF LADING (ft)	LOAD LIMITS (lbs)	CAR NUMBERS	LOAD LIMITS (lbs)	LIGHT WEIGHTS (lbs)	MAXIMUM GROSS (lbs)	SPRING TRAVEL (in)	DECK LENGTH (ft-in)	DECK HEIGHT (ft-in)	JOURNAL SIZE BEARING TYPE
0	390,000	45705	500,000	130,000	630,000	2 1/2"	44' 4"	4' 1"	45705 7" X 12" ROLLER 45708 6 1/2" X 12" ROLLER
2	406,600					WHEEL DIAMETER (in)	DECK WIDTH (ft-in)	DRAFT GEAR	
4	424,600					33"	10' 0"	M 901E	
6	444,400								
8	466,000								
10 & OVER	497,400								

KRL 45705 250 Ton - 44' 4" Flat Deck Car Drawing No. A19612

GENERAL NOTES:
Load Limits based on Suspension System - cars are rebuilt.